

# BAYOMETRIC

## Digital Persona U.are.U 4500

### OPTICAL USB FINGERPRINT READER



### PRODUCT DESCRIPTION

The U.are.U 4500 Reader is an elegant, powerful fingerprint identity machine. With an executive-class look and feel, the U.are.U 4500 Reader is perfect for power users and shared environments. Its design is sleek and compact to conserve valuable desk space but it stays right where you put it because of its nice heft and special undercoating. The U.are.U 4500 radiates an attractive blue glow that provides an unobtrusive presence in low light environments and also ensures that it does not compete with alarm colors in settings such as healthcare.

To use, you simply place your finger on the glowing window, and the reader quickly and automatically scans your fingerprint. For superior user feedback, a red "flash" indicates that a fingerprint image has been captured. On-board electronics calibrate the reader and encrypt the scanned data before sending it over the USB interface.

Digital Persona readers utilize optical fingerprint scanning technology to achieve excellent image quality, a large capture area and superior reliability. The U.are.U 4500 Reader and Digital Persona Fingerprint Recognition Engine have an unmatched ability to authenticate even the most difficult fingerprints accurately and rapidly regardless of placement angle.

### Applications

Desktop PC security

Mobile PCs

Custom applications

### Key Features

Blue LED

Small form factor

Excellent image quality

Superior ESD resistance

Encrypted fingerprint data

Latent print rejection

Counterfeit finger rejection

Rotation invariant

Rugged

Works well with dry, moist or rough fingerprints

Compatible with Windows 7, Vista, XP Professional, 2000 and Windows Server 2000, 2003, 2008

### TECHNICAL SPECIFICATIONS

Supply Voltage	5.0V $\pm$ 5% supplied by USB
Supply Current—scanning	< 100 mA (Typical)
Supply Current—idle mode	120 mA (Typical)
Supply Current—suspend mode	< 0.5 mA (Maximum)
ESD Susceptibility	>15 kV, mounted in case
Temperature, Operating	0 - 40 C
Humidity, Storage	20% - 90% non-condensing
Scan Data	8-bit gray scale
Standards Compliance	FCC Class B, CE, ICES, BSMI, MIC, USB, WHQL
Weight	105 grams
Interface	USB 2.0 Full-speed High Power Device

# BAYOMETRIC

## Digital Persona U.are.U 4500

### OPTICAL USB FINGERPRINT READER

#### KEY SPECIFICATIONS

Pixel resolution: 512 dpi (average x, y over the scan area)

Scan capture area: 14.6 mm (nom. width at center) 18.1 mm (nom. length)

8-bit grayscale (256 levels of gray)

Reader size (approximate): 65 mm x 36 mm x 15.56 mm

Compatible with USB 1.0, 1.1 and 2.0 (Full Speed) specifications

#### CONTACT

Phone +1 (408) 940-3955

Email [sales@bayometric.co.uk](mailto:sales@bayometric.co.uk)

Web [www.bayometric.co.uk](http://www.bayometric.co.uk)

Address 1743 Park Avenue  
San Jose, CA 95126

#### LINKS



[www.linkedin.com/company/bayometric](http://www.linkedin.com/company/bayometric)

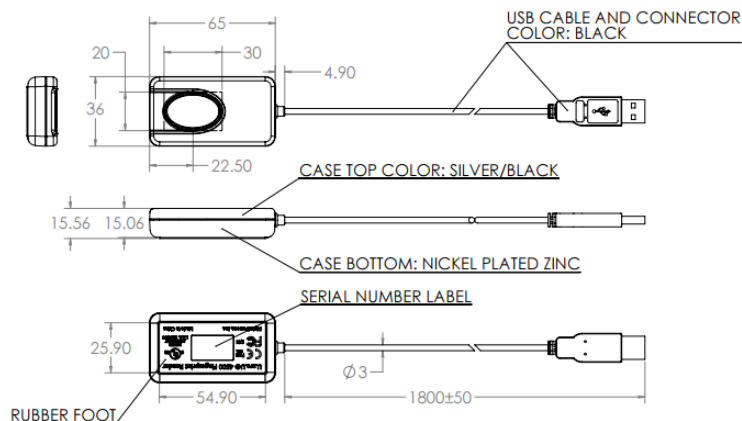


[www.facebook.com/bayometric/](http://www.facebook.com/bayometric/)



[www.twitter.com/bayometric/](http://www.twitter.com/bayometric/)

#### MECHANICAL SPECIFICATIONS



#### ABOUT BAYOMETRIC

Bayometric is a leading global provider of biometric security systems offering core fingerprint identification solutions. Our products and solutions help enterprises, government agencies, custom application developers and system integrators meet their security, identification and access management requirements.